

# RDH E\_-0280

Performance certified is for installation type B - free inlet, ducted outlet.  
 Power rating (kW) does not include transmission losses.  
 Performance ratings do not include the effects of appurtenances (accessories).

### Technical Data

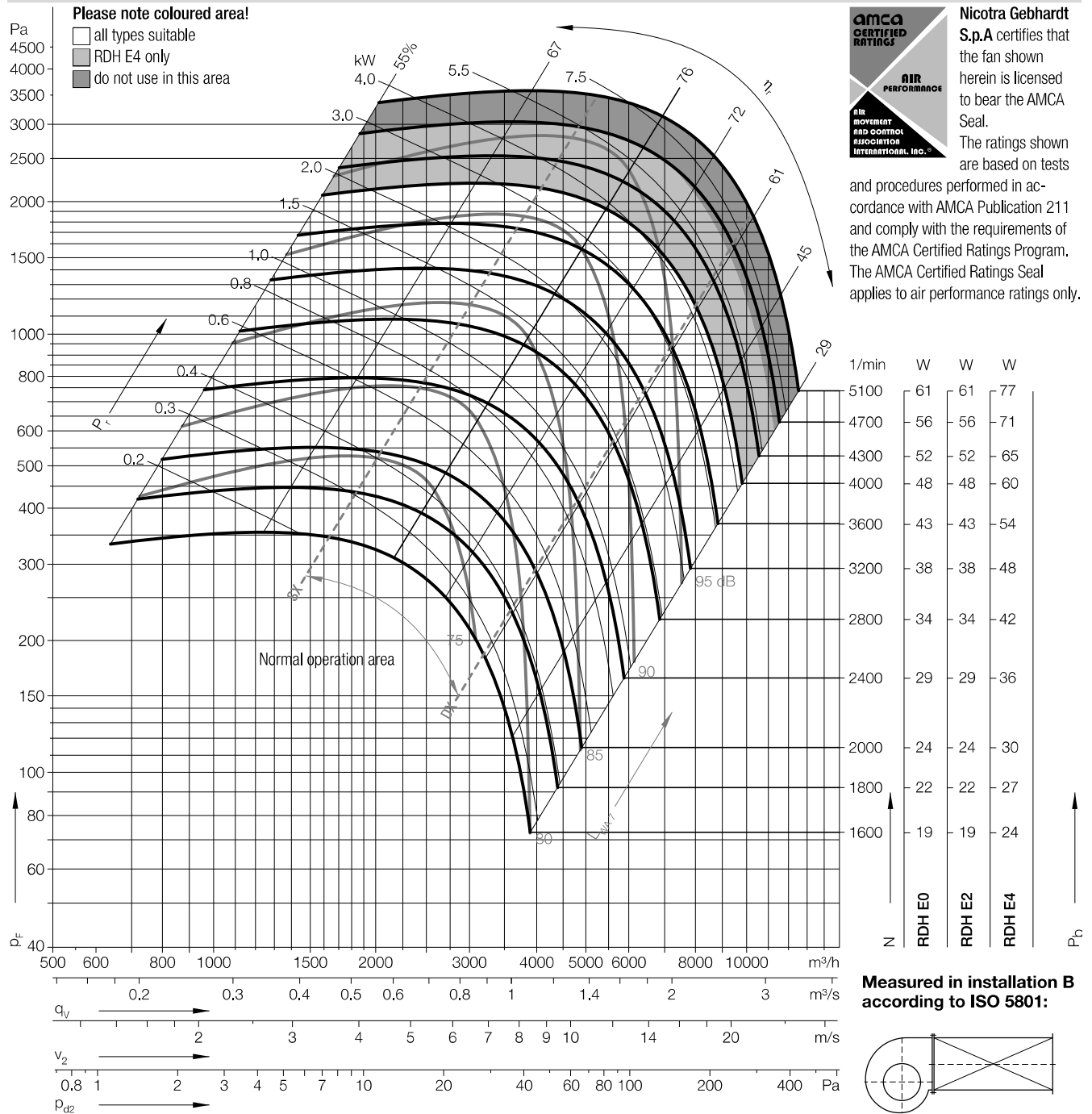
#### Impeller Data

|                   |       |                        |
|-------------------|-------|------------------------|
| Impeller diameter | $D_r$ | 282 mm                 |
| Number of blades  | $z$   | 11                     |
| Moment of Inertia | $J$   | 0,069 kgm <sup>2</sup> |

#### Impeller Data

|                             |          |                       |
|-----------------------------|----------|-----------------------|
| Impeller weight             | $m$      | 5,89 kg               |
| Density of media            | $\rho_1$ | 1,2 kg/m <sup>3</sup> |
| Tolerance class (DIN 24166) |          | 2                     |

### Performance Curves



| Duty point  | Speed 1/min | $\Delta L_{Wrel4}(A)$ dB |
|-------------|-------------|--------------------------|
| SX          | 4300        | 3                        |
| SX          | 2800        | 3                        |
| SX          | 1800        | 3                        |
| $Q_{V,opt}$ | 4300        | 4                        |
| $Q_{V,opt}$ | 2800        | 3                        |
| $Q_{V,opt}$ | 1800        | 4                        |
| DX          | 4300        | 3                        |
| DX          | 2800        | 4                        |
| DX          | 1800        | 4                        |

Relative sound power level for inlet side  $L_{Wrel7}$  at octave centre frequencies  $f_c$

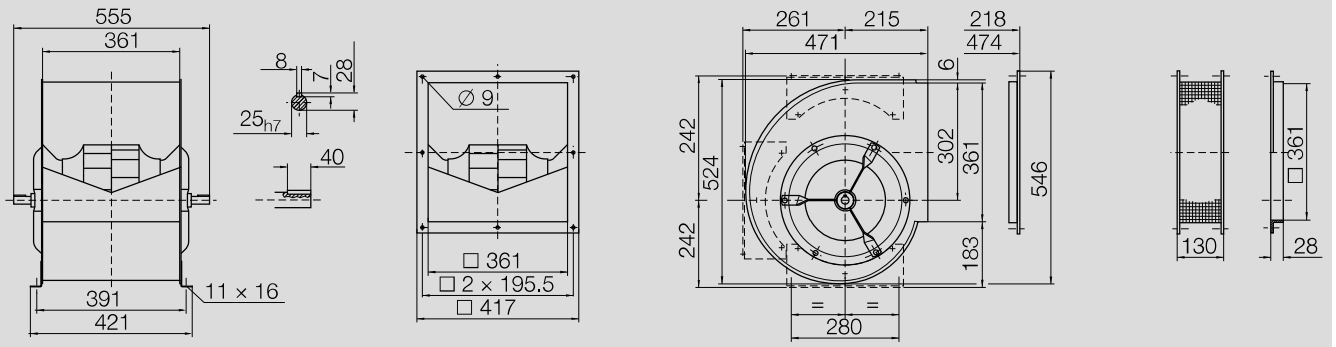
| 63  | 125 | 250 | 500 | 1000 | 2000 | 4000 | 8000 | Hz |
|-----|-----|-----|-----|------|------|------|------|----|
| -8  | -6  | -5  | -5  | -4   | -9   | -12  | -16  | dB |
| -7  | -4  | -4  | -1  | -8   | -8   | -13  | -18  | dB |
| -1  | -1  | 0   | -4  | -5   | -8   | -14  | -19  | dB |
| -10 | -9  | -8  | -8  | -4   | -7   | -10  | -15  | dB |
| -9  | -7  | -7  | -1  | -7   | -6   | -12  | -18  | dB |
| -6  | -5  | -2  | -5  | -4   | -7   | -14  | -20  | dB |
| -9  | -9  | -9  | -8  | -4   | -6   | -8   | -14  | dB |
| -7  | -8  | -8  | -3  | -7   | -5   | -11  | -18  | dB |
| -6  | -6  | -3  | -5  | -4   | -6   | -14  | -22  | dB |

Relative sound power level for discharge side  $L_{Wrel4}$  at octave centre frequencies  $f_c$

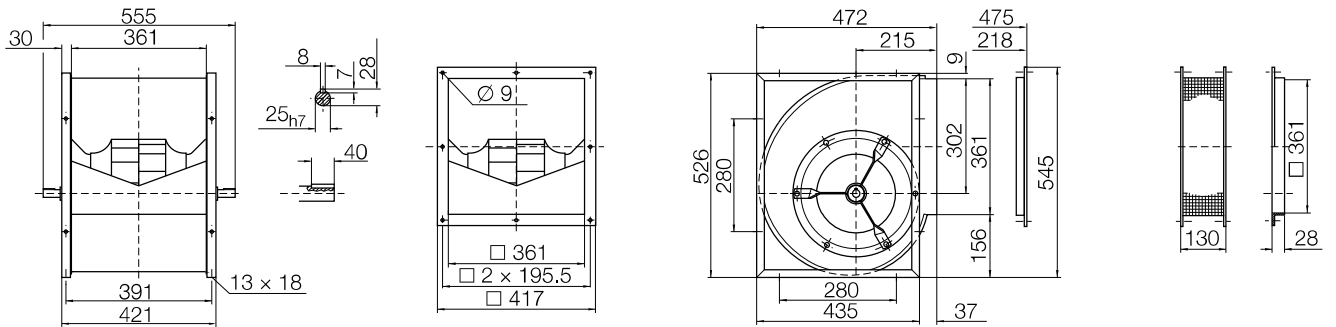
| 63 | 125 | 250 | 500 | 1000 | 2000 | 4000 | 8000 | Hz |
|----|-----|-----|-----|------|------|------|------|----|
| 7  | 7   | 3   | -3  | -4   | -4   | -8   | -15  | dB |
| 10 | 6   | 2   | -1  | -5   | -3   | -11  | -17  | dB |
| 11 | 7   | 5   | -3  | 0    | -5   | -13  | -18  | dB |
| 7  | 5   | 0   | -6  | -5   | -2   | -5   | -14  | dB |
| 7  | 3   | -1  | -3  | -4   | 0    | -10  | -17  | dB |
| 7  | 2   | 2   | -4  | 1    | -4   | -13  | -19  | dB |
| 6  | 4   | -1  | -4  | -3   | -2   | -4   | -12  | dB |
| 7  | 2   | -2  | -1  | -4   | 0    | -8   | -16  | dB |
| 7  | 2   | 3   | -3  | 1    | -3   | -11  | -19  | dB |

# RDH E\_-0280

**Dimensions** in mm, subject to change.  
**RDH E0-0280** 17.8 kg



**RDH E2-0280** 21 kg



**RDH E4-0280** 28 kg

